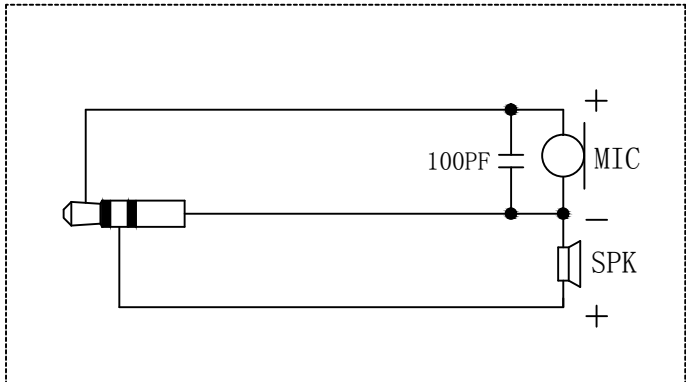
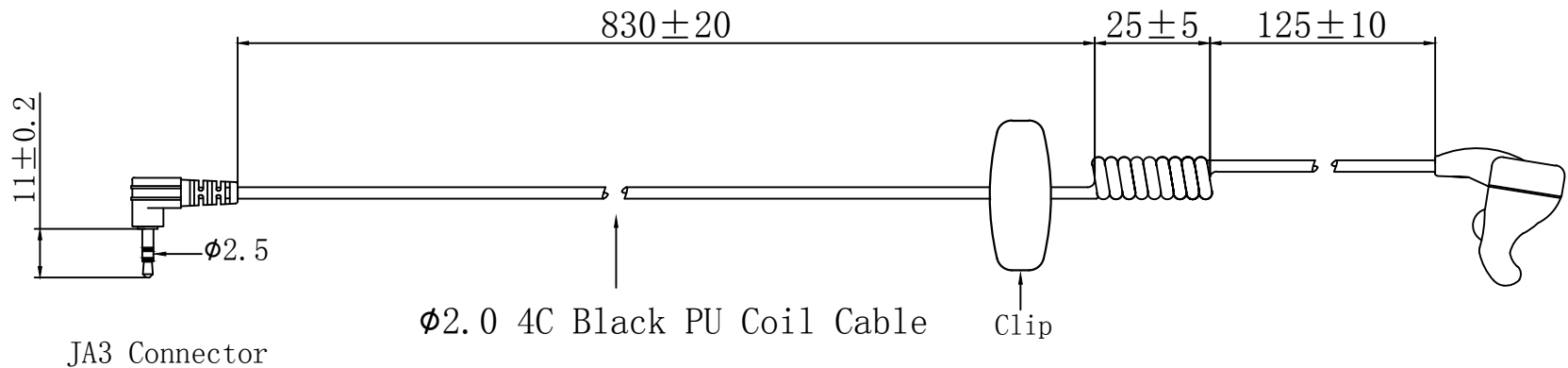


Rev.	Description	Date	By



MT Advantech® Limited

Title Bone conduction earphone /microphone				Part Number ES-FB01JA3	
				Third Angle Projection	
Draw:	Tony	Check:	Tony	Unit:	mm
Approve:				Date:	2013/07/25
				Drawing #:	

Confidential document DO NOT transfer or copy to any unauthorized third party. Any violation will be prosecuted relevant legal liability.